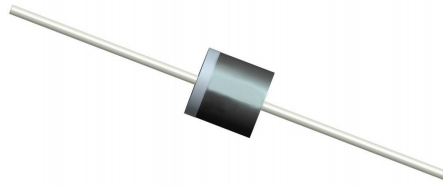


## R-7 packing information

B148, Rev. -

### 1. Finish Goods PKG photo



### 2. Reel Packing method 1



Label



Reel

Box



Label

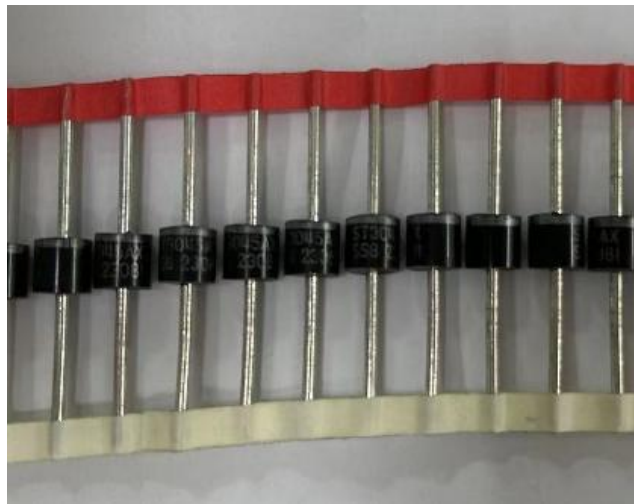
**Fig.1- Reel pack for Axial Lead**

Table 2. Packing information

Package version	Reel dimensions $\phi \times H$ (mm)	Per Reel (pcs)	Reels per Outer box	Per Outer box (pcs)	Outer box dimensions L×W×H (mm)	Inner box weight (Kg)	Outer box weight (Kg)
R-7D	$\Phi 330 \times 79$	800	5	4000	340*340*310	1.50	9.5
R-7C	$\Phi 330 \times 79$	800	5	4000	340*340*380	1.50	9.5

4. Product orientation

Standard product orientation R-7



→  
direction of feed

Fig 2. Product orientation in carrier tape

## R-7 packing information

B148, Rev. -

### 5. Carrier tape dimensions

COMPONENT OUTLINE	COMPONENT PITCH A	INNER TAPE PITCH B		CUMULATIVE PITCH TOLERANCE
		$\pm 0.5\text{mm}$ (.020")	$\pm 1.5\text{mm}$ (0.059")	
R-7	10.0mm		52.4mm	2.0mm/10pitch

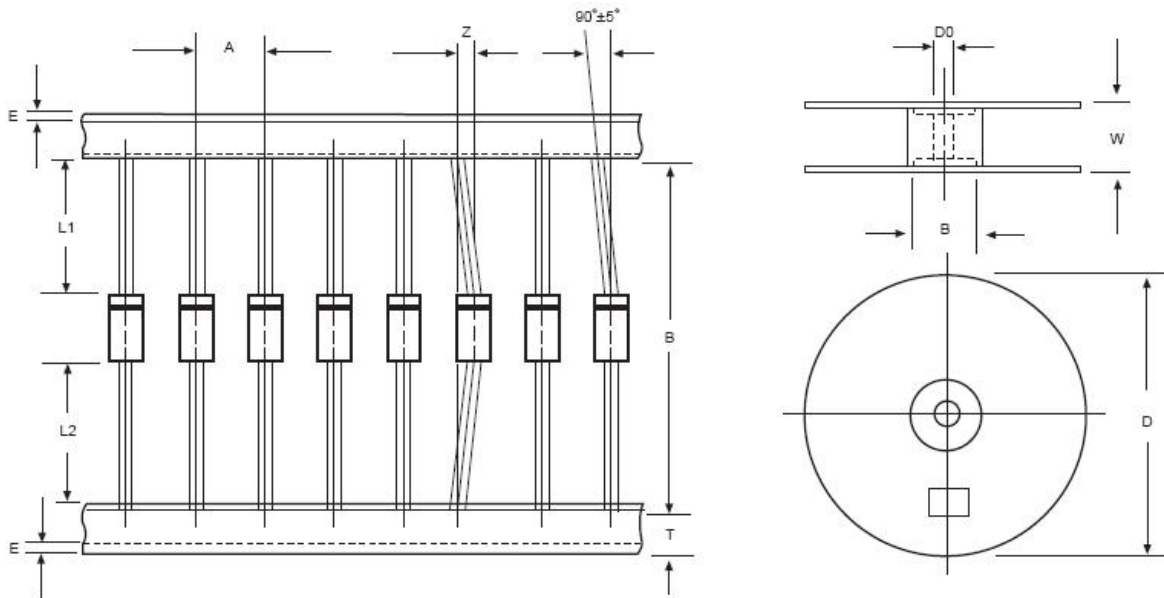


Fig 3. Carrier tape dimensions

Table 3. Carrier tape dimensions

ITEM	SYMBOL	SPECIFICATIONS(mm)	SPECIFICATION(inch)
Component alignment	Z	1.2max.	0.048max.
Tape width	T	$6.0 \pm 0.4$	$0.236 \pm 0.016$
Exposed adhesive	E	0.8max.	0.032max.
Body eccentricity	IL1-L2I	1.0max.	0.040max.
Reel outside diameter	D	330.0	13.0
Reel inner diameter	D1	$85.7 + 0.3$	$3.375 \pm 0.012$
Feed hole diameter	D0	$30.5 + 0.4$	$1.201 \pm 0.016$
Reel width	W	$79.0 \pm 1.0$	$3.110 \pm 0.040$